

NAILISM
PREMIUM PEDICURE SPA FURNITURE

WOOD JOY

Whirlpool Pedicure Spa Manual

Thank you for choosing **NAILISM**, the leading manufacturer well known worldwide for its innovation and design in pedicure spas. **NAILISM** takes pride in bringing you quality products that meet today's demand for safety and service. The **NAILISM** Whirlpool Pedicure Spa has been designed for dependability, and to benefit all with a health conscious clientele.

PLEASE TAKE TIME TO READ THIS MANUAL THOROUGHLY BEFORE USE.

If you have any questions or problems with your pedicure spa, please contact our **Customer Service** and Technical Support at **718-961-3000** Monday thru Friday 9AM-6PM, or Email us at info@salontechspa.com

Important Requirements

NAILISM requires that you contact your local, licensed plumber and licensed electrician to install your new spa. Installation **MUST** be in compliance with all local and state building codes. Your Pedicure spa cannot operate efficiently or safely unless it is provided with adequate electrical power, sufficient water pressure, proper water temperature, and required drainage capabilities. Contact your local building inspector for information and local code compliance procedure that need to be followed when having your new pedicure spa installed. Subsequent inspections and approvals that may be required are the responsibility of the purchaser.

Shipment Inspection

Examine the components immediately upon arrival to make sure no damages have occurred to the pedicure spa and chair during the shipment. It is very important that you notify the driver on the face of the freight bill or bill lading of any damage. Failure to note damage on the bill of lading may prevent any claims you may have against the carrier. If damage is found, you **MUST** notify the carrier at once and request an inspection. **DO NOT DISCARD THE SHIPPING CARTON.** If you do, you do so at your own risk and expense.

Precaution

- Do not stand in the basin of the spa.
- Excessive water temperature is dangerous and should be checked before use.
- Maximum water Temperature should not exceed 150°F (65°C).
- Always enter and exit the spa slowly and carefully.
- Never bring or operate any electrical device near pedicure spa.
- The unit has a weight capacity of 250 pounds.

Health Warning

Individuals whose feet or legs are inflamed or have open wounds should not be allowed to use the pedicure spa at any time. The technician should advise clients to consult their physician before using the spa if there is any sign of fungal infection, swelling, fracture, or persistent pain. In some cases diabetics may experience improved circulation in their feet, but should first consult their physician prior to receiving a pedicure.

If the client experiences any pain or discomfort, discontinue the use of the pedicure spa immediately.

NAILISM
PREMIUM PEDICURE SPA FURNITURE

WOOD JOY

Showroom
35-25 Farrington St, Flushing, NY 11354
Tel_ 718-961-3000

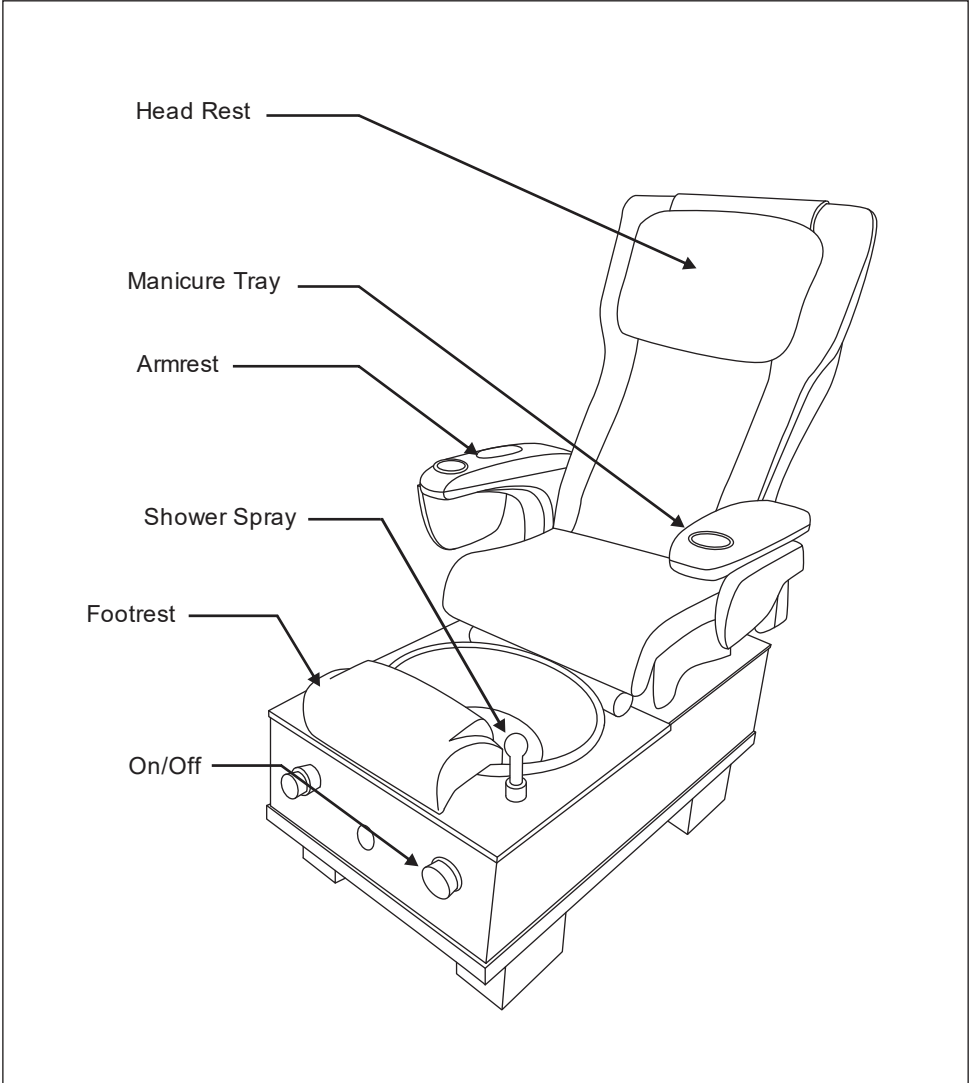
Factory
269 commercial ave, Palisades park NJ 07650
Tel_ 201-944-8888

Serial Number _____

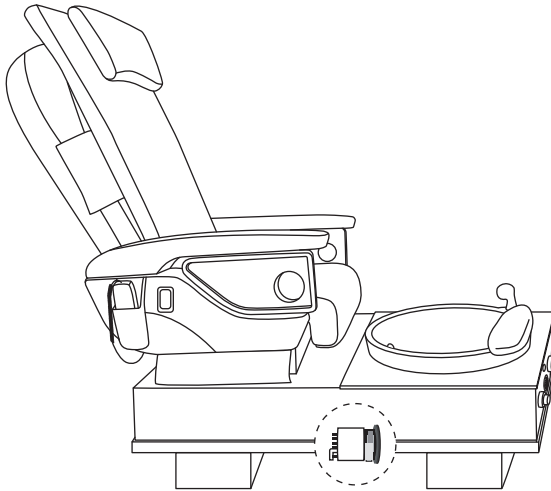
Order Number _____

Installed by _____



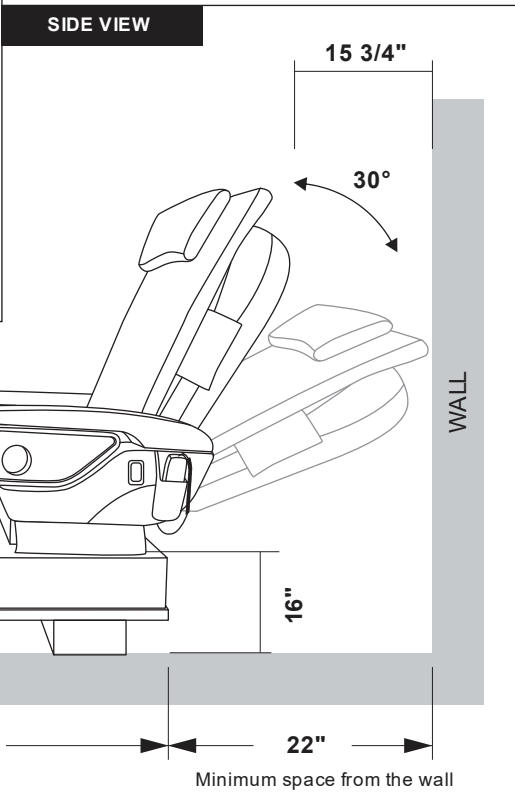
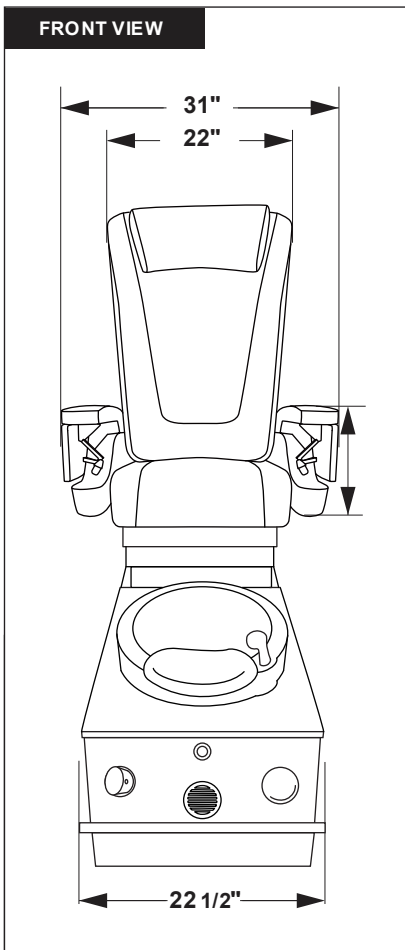


Due to continuous improvements on all of our products, specification, characteristics, packing, color and design are subject to change without notice.

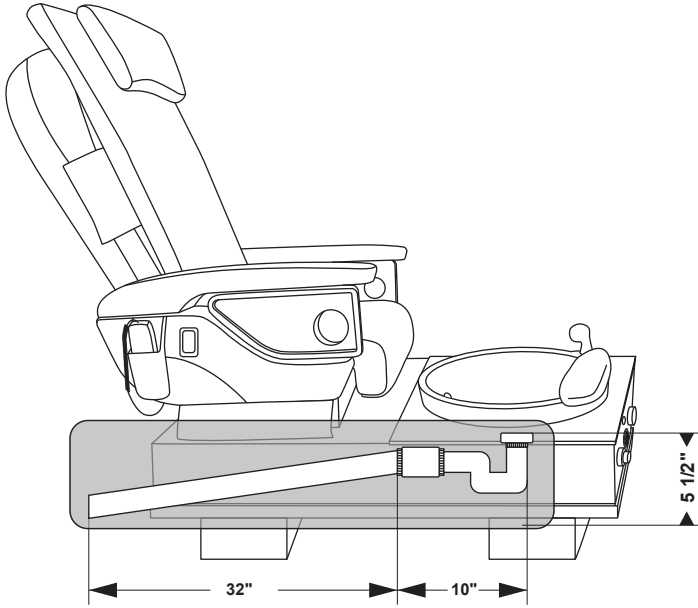


Dimension & Weight	WOOD JOY(Base Unit) WOOD JOY(Chair) Stool	21 1/2"W x 48"L x 16"H Wt. 165Lbs 21"W x 34 1/2"L(Incline), 50"L(Recline) x 44"H(Incline), 34"H(Recline)Wt. 125Lbs 19"W x 19"L x 22"HWt. 13Lbs
Capacity of Tub		4.25 US Gallon
Switch		On/Off Air Activated Switch
Whirlpool	JJT Impeller Motor Jets Air Control	Hydro Therapeutic Motor Jet with Impeller System Air Induction System
Power Source	Motor Discharge Pump(Optional) Massage System	115V 1.2Amp 60Hz 55W 115V 32Amp 60Hz 110V-120V 60Hz 90W 5Amp
Plumbing Source	Hot Water Cold Water Drain	1/2 inch(Fitting pre-installed) 1/2 inch(Fitting pre-installed) 1-1/2 inch(see Plumbing Instruction)
Warranty	Unit Optional Item	One Year(see Warranty) 180 Days

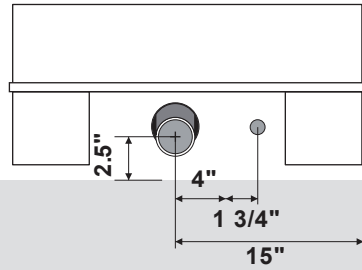
Due to continuous improvements on all of our products, specification, characteristics, packing, color and design are subject to change without notice.



SIDE VIEW



REAR VIEW



Back of the pedicure spa

Manufacturer requires that the pedicure spa be thoroughly cleaned at the end of the day in following manner.

Daily

1. Remove the jet cover (fig 1). All debris trapped on or behind the cover must be removed. The jet cover must be free of debris.
2. Before placing the jet cover, the cover must be immersed with EPA-registered disinfectant.
3. Flush out the whirlpool with low foaming detergent and warm water for 10 minutes.
4. With fresh water, EPA-registered cleanser for run the no pipe motor for 5 minutes.
5. Rinse with fresh water.

Weekly

1. Fill the basin with hot water up to its level.
2. Add 3 to 4 table spoons of a low foaming agent.
3. Run whirlpool for 5 minutes.
4. Stop whirlpool and sit for 5 to 7 minutes.
5. Open air control and whirlpool for 5 minutes.
6. Drain completely.
7. Fill the basin with warm water up to its level.
8. Apply EPA-registered disinfectant according to its direction.
9. Run whirlpool for 5 minutes.
10. Drain completely.
11. Wipe out excessive water with soft cloth.
12. Repeat step 7 to 10, if necessary.

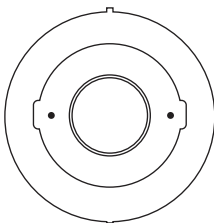
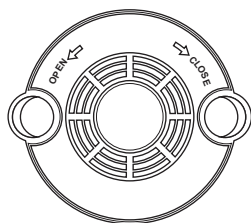
double locking covers cleaning instruction(suggested by manufacturer)

1. Gently turn the cover counter clock-wise to remove. (Shown fig.1)
This will expose the entire water chamber.
2. Use antibacterial soap or a solution of 3% hydrogen peroxide to wipe the inner chamber.

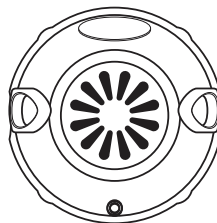
Warning: DO NOT use chlorine or chlorinated products (such as diluted bleach) as this will damage the plastic, chrome cover and VOID your warranty.

Fig. 1

JJT Motor Cover

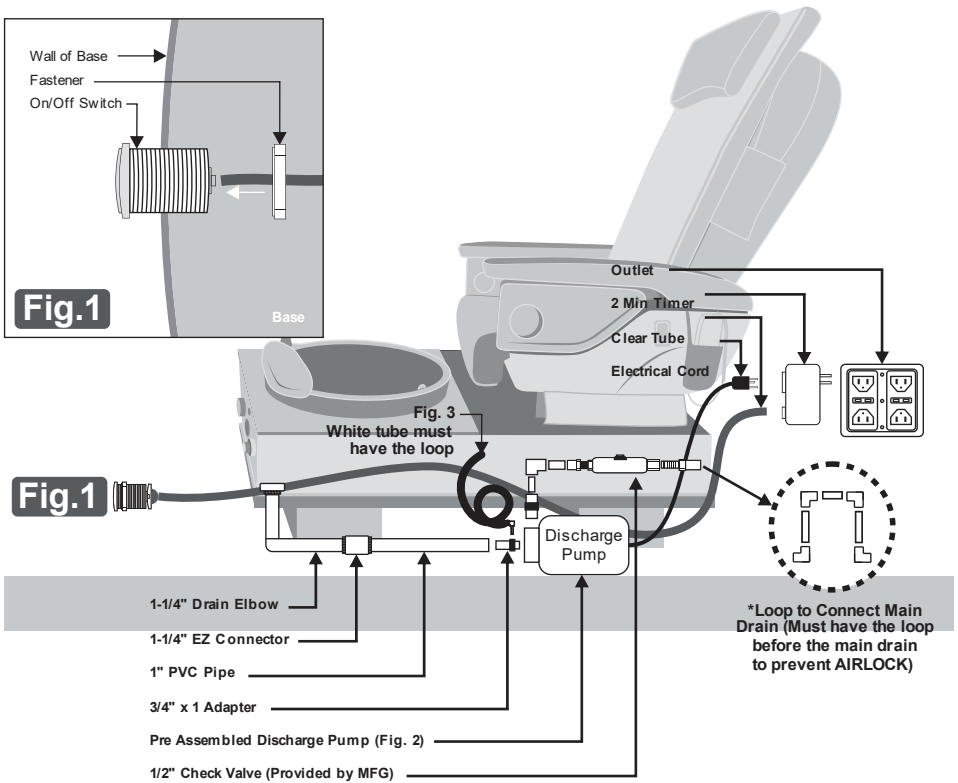
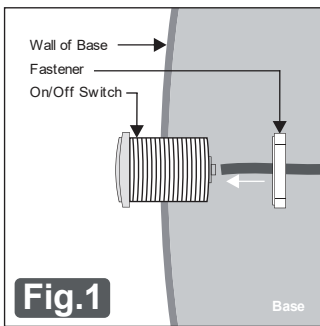


Luraco Motor Cover



Discharge Pump Installation Instruction

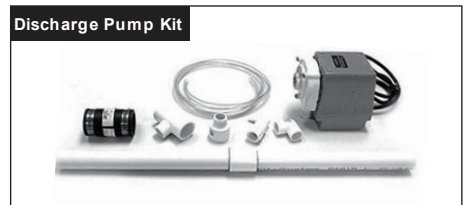
1. Make a hole (size 1-3/8") for the on/off switch as shown Fig1. Pre drill required.
2. Place 1/8" clear hose into the rear of the switch and on/off switch into the hole.
3. The discharge pump kit is made to fit into the pedicure unit as shown in Fig2.
4. Connect EZ connector to the drain elbow.
5. Plug discharge pump outlet into black 2 minute timer.
6. Plug black 2minute timer into the wall outlet.
7. It is very important that tip of white tube remain above the water level with one big loop as shown in Fig3.



Operation Instruction

*Please DO NOT run dry

1. Turn to open the drain plug -wait 2 seconds.
2. Press on/off switch to activate the timer.
3. After the water has drained out from the basin. Press the on/off switch again to stop.



NAILISM LIMITED WARRANTY

NAILISM manufactures Whirlpool Pedicure Spa with the highest standards for quality materials, with UL listed components and highest workmanship for duration of the warranty period. Duration begins on the date of purchase by the customer (end-user). Each customer is responsible for maintaining the proof of purchase (invoice) to initiate the warranty. The customer **MUST** send in warranty card in the manual booklet. Read and fill out (warranty form) carefully and return to **NAILISM** within 15 days from purchase.

Warranty Period

All components: One (1) year from date of shipment.

All optional items: 180 days from date of shipment.

If **NAILISM** receives defective product notice during the applicable warranty period, repair or replace the defective parts at Salontechspa's option. Replacement product(part) may be either new or equivalent in performance. **NO CONSEQUENTIAL, INCIDENTAL, OR CONTINGENT DAMAGE WILL BE ALLOWED WHATSOEVER.** This warranty is null and void if the spa is removed from its place of initial installation, or is not in accordance with federal, state or local codes and ordinances. Furthermore, this warranty does not apply if the spa has been subject to misapplication, improper installation or maintenance, negligence, improper cleaning, refurbished or tampered with in any way or other circumstances beyond Salontechspa's control.

NAILISM's warranty is valid in only within the continental 48 U.S. The warranty may be available from any authorized **NAILISM** service facility where the product is distributed by Salontechspa or by an authorized distributor.

Not Covered

1. Damage to motor and/or motor parts due to obstruction in plumbing, etc.
2. Staining, fading or discoloration of surface due to exposure and/or the use of harmful cleaning substance or chemical.
3. Staining, fading or discoloration caused by improper or poor water additives not related to main tenance of proper water.
4. Malfunctions or damage caused by improper installation; including NOT meeting local and state plumbing, electrical, and building codes.
5. Saining, fading or discoloration of the leather chair and urethane footrest.
6. Damage resulting from standing in basin.
7. Freight damage, misuse, neglect, accident, natural disaster, and abuse.
8. Unauthorized repairs.

Should service be required for any reason or any question on our product/s, please contact

NAILISM

Technical Support

35-25 Farrington St, Flushing, NY 11354

T: 718-961-3000 F: 201-944-8888

E-mail: info@salontechspa.com / www.nailismusa.com

No distributor or other person has any authority to bind **NAILISM** to change or add this warranty or its products. **NAILISM** is not responsible for such warranties or representations.

Due to continuous improvements on all of our products, specification, characteristics, packing, color and design are subject to change without notice.